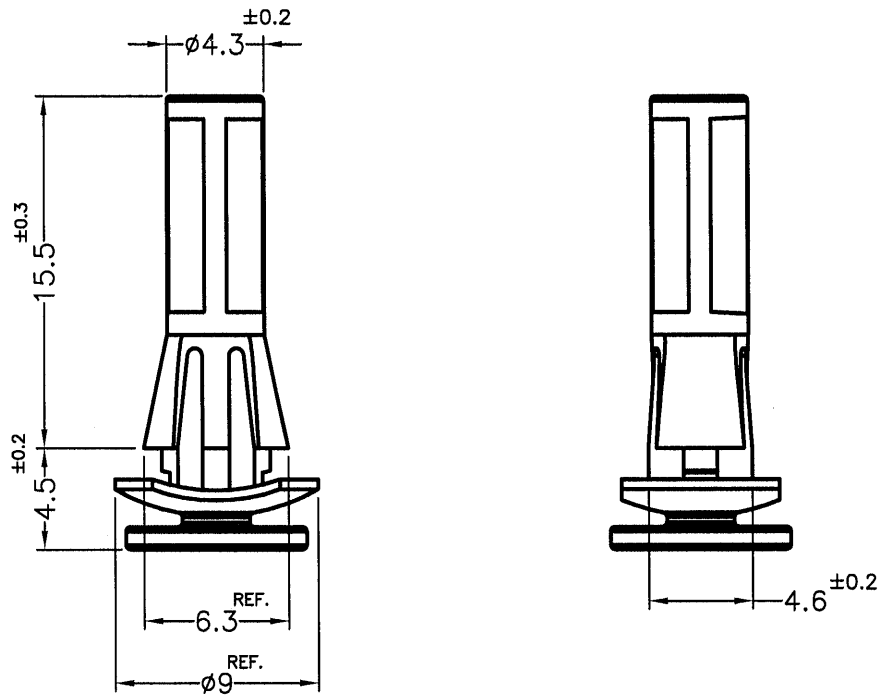


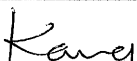


REVISIONS			
REV	DESCRIPTION	DATE	BY



HOLE IN CHASSIS: $\phi 4.8\text{mm}$
 CHASSIS THICKNESS: 1.6mm

NOTE: MADE OF EQUIVALENT MATERIAL.
 均可使用同等材質.

 康揚企業股份有限公司 KANG YANG HARDWARE ENTERPRISE CO., LTD. 康揚塑膠(東莞)有限公司 KANG YANG PLASTIC(DONG GUAN) CO., LTD. 康哲電腦配件(吳江)有限公司 KANG CHE COMPUTER COMPONENTS(WUJIANG) CO., LTD.				TITLE	SPACER SUPPORT	SPEC. DWG.	
				MATERIAL	NYLON 66 UL94V-2	DATE	2012.06.18
				FINISH		DRAWN	C.S.L
				COLOR	NATURAL	CHECK	
PART NUMBER	RAMD-15.5	DRAWING NUMBER	RAMD-H	UNLESS OTHERWISE SPECIFIED TOLERANCE	SEE ABOVE	APPROVED	
SIZE	A4	SCALE	3:1	UNIT	mm	REV	A