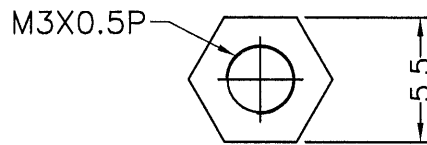
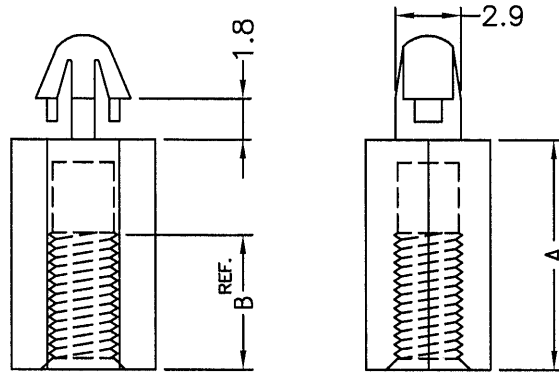


DIM.	TOL
5mm DOWN	±0.2
5~20mm	±0.3
20~40mm	±0.4
40~60mm	±0.5
60~100mm	±0.8
100mm UP	±1.0


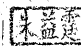

REVISIONS			
REV	DESCRIPTION	DATE	BY

HOLE IN P.C.B $\phi 3.0$
P.C.B THICKNESS 1.6



PART NO.	A	B (Effective Fasten Length)
MAE-5T	5.0	3.0
MAE-6T	6.0	4.0
MAE-7T	7.0	
MAE-8T	8.0	6.0
MAE-9T	9.0	
MAE-10T	10.0	
MAE-11T	11.0	
MAE-12T	12.0	
MAE-13T	13.0	
MAE-14T	14.0	
MAE-15T	15.0	
MAE-16T	16.0	
MAE-17T	17.0	
MAE-18T	18.0	
MAE-19T	19.0	
MAE-20T	20.0	
MAE-22T	22.0	
MAE-23.5T	23.5	
MAE-26T	26.0	
MAE-26.5T	26.5	
MAE-27T	27.0	

NOTE: MADE OF EQUIVALENT MATERIAL.
均可使用同等材質。

 <p>康揚企業股份有限公司 KANG YANG HARDWARE ENTERPRISE CO., LTD. 康揚塑膠(東莞)有限公司 KANG YANG PLASTIC(DONG GUAN) CO., LTD. 康哲電腦配件(吳江)有限公司 KANG CHE COMPUTER COMPONENTS(WUJIANG) CO., LTD.</p>	TITLE	SPACER SUPPORT	SPEC. DWG.		
	MATERIAL	NYLON 66 UL94V-2	DATE	2000.12.27	
PART NUMBER	SEE ABOVE	FINISH	DRAWN	AMY	
DRAWING NUMBER	MAE-HT	COLOR	CHECK		
SIZE	A4	UNLESS OTHERWISE SPECIFIED TOLERANCE	APPROVED		
SCALE	NONE	UNIT	mm	REV	D