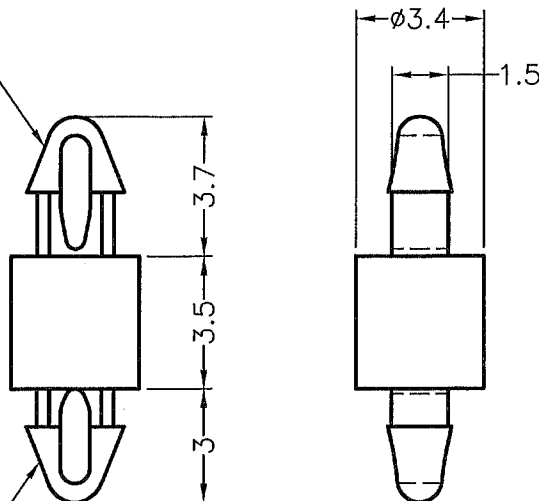


DIM.	TOL
L≤10	±0.2
10<L≤30	±0.3
30<L≤50	±0.5
50<L≤100	±0.7
100<L≤250	±1.2
ABOVE 250	±1.5

REVISIONS			
REV	DESCRIPTION	DATE	BY

HOLE IN P.C.B Ø2.0
P.C.B THICKNESS 1.6



HOLE IN P.C.B Ø2.0
P.C.B THICKNESS 0.9

NOTE: All measurement does not include gate which raises under 0.3mm.

Component - PlasDics

E41838

E I DUPONT DE NEMOURS & CO INC
ENGINEERING POLYMERS, CHESTNUT RUN PLAZA, PO BOX 88713, WILMINGTON DE 19880
101(r9)(f1), 101F(r9)(f1), 101L(r9)(f1), E101(r9)(f1), E101L(r9)(f1)
Polyamide 66 (PA66), "Zytel", furnished as pellets.

Color	Min Thk (mm)	Flame Class	HWI	HA1	RTI Elec	RTI Imp	RTI Str
ALL	0.71	V-2	4	0	130	75	85
	1.5	V-2	3	0	130	75	85
	3.0	V-2	2	0	130	75	85
	6.0	V-2	2	0	130	75	85

Comparative Tracking Index (CTI): 0

Dielectric Strength (KV/mm): 13

High-Voltage Arc Tracking Ratio (HVTR): 0

Dimensional Stability (%): -

Insured Flame Tracking (IFT): -

Volume Resistivity (10¹² ohm-cm): 44

High Volt, Low Current Arc Resis (D488): 6

(f1) - Suitable for outdoor use with respect to exposure to Ultraviolet Light, Water Exposure and Immersion in accordance with UL 745C.

NOTE - (1) Material designations that are color pigmented may be followed by suffix letters and numbers. (2) Material designations may be prefixed by "ZYT" for Zytel or "MIL" for Milion or "DEL" for Delrin or "GRA" for Gracon or "RYN" for Rynite or "EFPV" for EFPV grades.

2 - Virgin and regrid up to 30% by weight inclusive, have the same basic material characteristics for ALL colors down to 0.71mm. For thickness 0.49mm to 0.70mm the same basic material characteristics exist with the exceptions of generic RTI for all properties and Regrid exceeding 20% is limited to V-2 Flammability for V7, HD, BK.

ANSI Z39.34 small-scale test data does not pertain to molding materials, particularly accelerated curetimes. ANSI Z39.34 small-scale test data is intended solely for determining the reasonability of physical constants used in the corresponding end parts of end-product designs and applications, where the acceptability of the combination is determined by use.

Report Date: 1996-07-28

Last Revised: 2010-07-27

© 2011 DupontNemours Laboratories Inc.



NYLON 66 UL94V-2 or EQUIVALENT

<p>康揚企業股份有限公司 KANG YANG HARDWARE ENTERPRISE CO., LTD. 康揚塑膠(東莞)有限公司 KANG YANG PLASTIC(DONG GUAN) CO., LTD. 康哲電腦配件(吳江)有限公司 KANG CHE COMPUTER COMPONENTS(WUJIANG) CO., LTD.</p>	TITLE SPACER SUPPORT		SPEC. DWG.	
	MATERIAL NYLON 66 UL94V-2		DATE 2013.08.27	
	FINISH		DRAWN C.S.L	
	COLOR NATURAL		CHECK 	
PART NUMBER MADB-3.5	DRAWING NUMBER MADB-3.5		UNLESS OTHERWISE SPECIFIED TOLERANCE SEE ABOVE	
SIZE A4	SCALE 5:1	UNIT mm	REV A	APPROVED