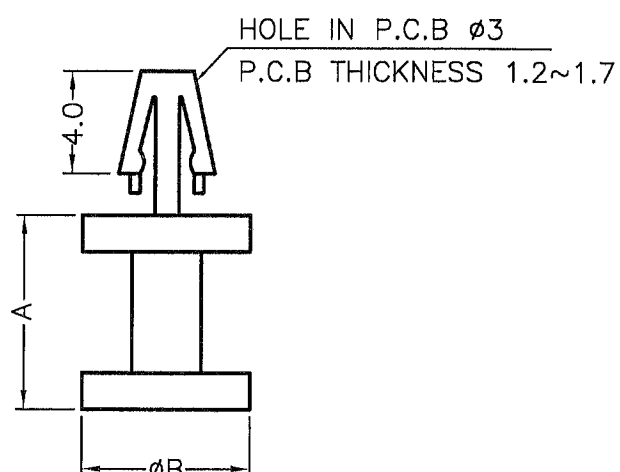
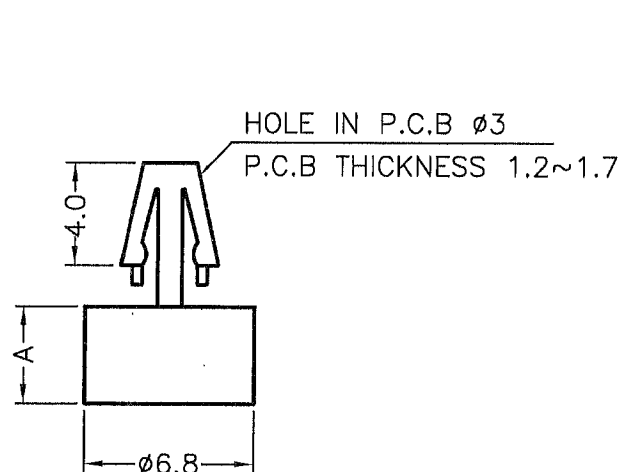


DIM.	TOL.
5mm DOWN	±0.2
5~20mm	±0.3
20~40mm	±0.4
40~60mm	±0.5
60~100mm	±0.8
100mm UP	±1.0


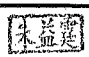
REVISIONS			
REV	DESCRIPTION	DATE	BY



PART NO.	A
DCB-3	3.0
DCB-3.5	3.5
DCB-4	4.0

PART NO.	A	B
DCB-5	5.0	6.0
DCB-5.8	5.8	6.9
DCB-6	6.0	6.8
DCB-6.5	6.5	6.0
DCB-7	7.0	6.0
DCB-8	8.0	6.8
DCB-10	10.0	6.8
DCB-15	15.0	6.0

NOTE: All measurement does not include gate which raises under 0.3mm.

 <p>康揚企業股份有限公司 KANG YANG HARDWARE ENTERPRISE CO., LTD. 康揚塑膠(東莞)有限公司 KANG YANG PLASTIC(DONG GUAN) CO., LTD. 康哲電腦配件(吳江)有限公司 KANG CHE COMPUTER COMPONENTS(WUJIANG) CO., LTD.</p>	TITLE SPACER SUPPORT		SPEC. DWG.		
	MATERIAL NYLON 66 UL94V-2		DATE 2005.12.27		
	FINISH		DRAWN JASON		
	COLOR NATURAL		CHECK 		
PART NUMBER SEE ABOVE		DRAWING NUMBER DCB-H		UNLESS OTHERWISE SPECIFIED TOLERANCE SEE ABOVE	
SIZE A4	SCALE NONE	UNIT mm	REV C	APPROVED 