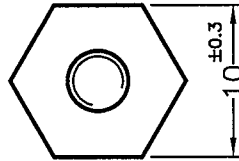
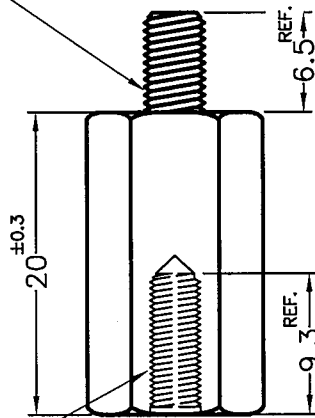


REVISIONS			
REV	DESCRIPTION	DATE	BY





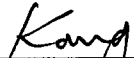
M4X0.7P SCREW
INSERT SCREW



M3X0.5P NUT
INSERT NUT

符合歐盟ROHS規範 (RoHS Compliant)	
★鉛Pb	<1000PPM
★鎘Cd	< 100PPM
★汞Hg	<1000PPM
★六價鉻Cr6+	<1000PPM
★多溴聯苯類PBBs	<1000PPM
★多溴聯苯醚類PBDEs	<1000PPM

NOTE:MADE OF EQUIVALENT MATERIAL.
可使用同等材質.

 康揚企業股份有限公司 KANG YANG HARDWARE ENTERPRISE CO., LTD. 康揚塑膠(東莞)有限公司 KANG YANG PLASTIC(DONG GUAN) CO.,LTD. 康哲電腦配件(吳江)有限公司 KANG CHE COMPUTER COMPONENTS(WUJIANG) CO.,LTD.				TITLE	THREADED SPACER		SPEC. DWG.		
				PLASTIC'S MATERIAL	NYLON 66 UL94V-0+GF		DATE	2018.02.27	
PART NUMBER	DRAWING NUMBER		SCREW & NUT'S MATERIAL	BRASS		DRAWN	XIAO		
MTPA4-3-20GFB	MTPA4-3-20GFB		PLASTIC'S COLOR	BLACK		CHECK			
SIZE	SCALE	UNIT	REV	UNLESS OTHERWISE SPECIFIED TOLERANCE	SEE ABOVE		APPROVED		
A4	2:1	mm	B						